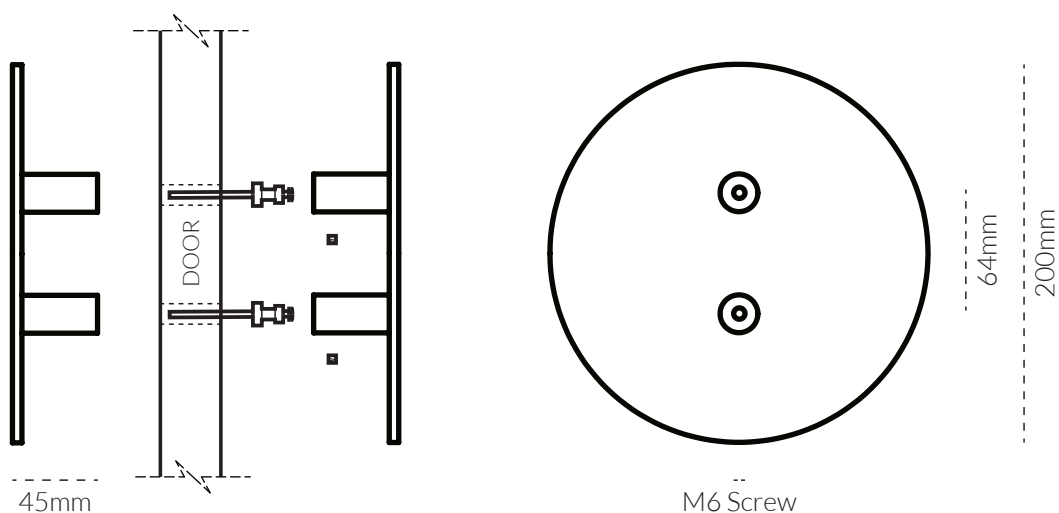



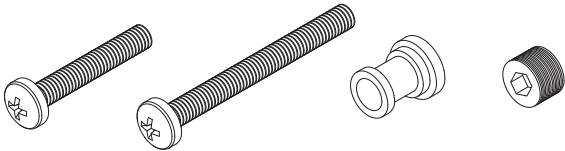








HALO ENTRY PULL 200MM

TECH SPEC

SPECIFICATIONS



FINISH	SKU	FIXINGS ALSO INCLUDED
 Natural Brass	4062BB-US4	<ul style="list-style-type: none"> - 2x M6 * 50mm Shoulder Screw - 2x M6 * 80mm Shoulder Screw - 2x M6 Grub Screw 
 Aged Brass	4062BB-AB	
 Tumbled Brass	4062BB-TB	
 Bronze	4062BB-BR	
 Brushed Nickel	4062BB-BN	
 Matte Black	4062BB-US19	
 Matte White	4062BB-W	

CARE INSTRUCTIONS

Wipe with damp cloth and avoid using any chemicals.